



Model

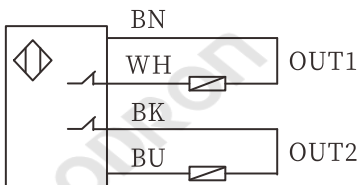
BT36-20BLA2

Product Features

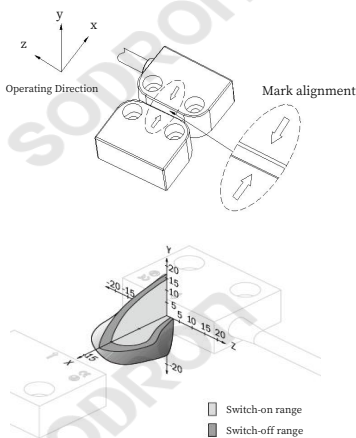
- Contact magnetic induction
- EN ISO 13849

Technical parameters

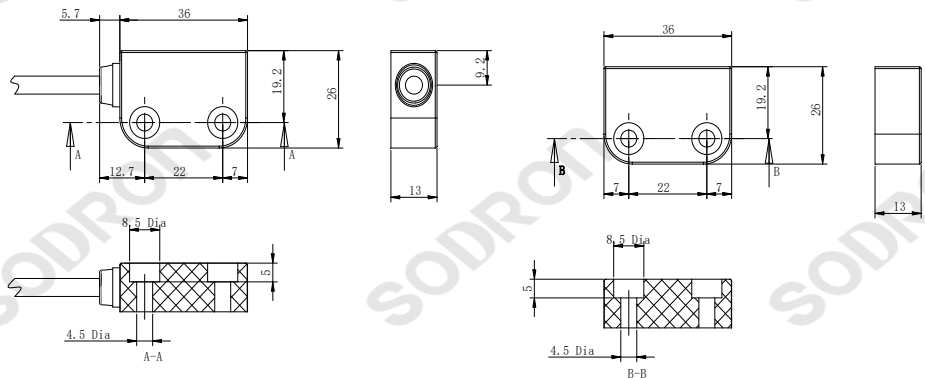
Connection



Mounting and Sensing Area



Dimension



Technical parameters

Output mode	Reed switch contact
NC Contact Qty	2 (NC)
Switch on safety distance	9mm
Switch off safety distance	20mm
Switch voltage	10-30V DC
Switch current	100mA max
Contact capacity	10W
Mechanical life	Switching operations: 2×10^7
Structure type	Structure type3 (EN ISO 13849)
Actuator coding level	Low coding level (EN ISO 13849)

Safety state in the event of a fault The switch is without internal detection and cannot assume a safe state in the event of a fault. Fault detection is performed by the connected post-installed safety-related logic unit.

Connection	Cable 2m, $\Phi 4.8$ (4 core) Black $0.12 \times 18 \times 0.2 \text{mm}^2$
Ambient temperature	Work&Storage: $-20^\circ\text{C} \sim +60^\circ\text{C}$
Ambient humidity	Work&Storage: $35 \sim 95\% \text{RH}$
Anti-vibration	$10 \sim 50 \text{Hz}$, double amplitude 1.5mm, 2 hours per axis for X, Y, Z
Anti-impact	30G, 11ms
Insulation resistance	$> 100 \text{M}\Omega (\text{DC} 500\text{V})$
Protection degree	IEC IP67
Housing material	PPS